



# Omni-ID Prox<sup>®</sup>

Omni-ID Prox offers the smallest form factor and best performance in a metal environment of any UHF RFID Tag on the market. The Prox is available as a regionally-tuned tag, or broadband tag providing strong global functionality across all geographic regions. Omni-ID Prox comes standard with a printed label finish. It is also available in a low profile ruggedized rigid case for applications with harsh environmental requirements.

## Product Specifications

	Prox Label		
	Regional	Global	Prox Rigid Case
Read Range <sup>1</sup> (m)	Balanced Up to 3.0 (US) Up to 2.0 (EU)	Balanced Up to 2.5 (Global)	Balanced Up to 3.0 (global)
Size (mm)	33 x 10 x 4.8 (US) 35 x 10 x 4.8 (EU)	35 x 10 x 4.8	50 x 16 x 8.4
Size (in)	1.30 x 0.39 x 0.19 (US) 1.38 x 0.39 x 0.19 (EU)	1.38 x 0.39 x 0.19	1.97 x 0.63 x 0.33
Weight (g)	1.7 (US), 1.9 (EU)	1.9	6.0
Encasement	Synthetic Label	Synthetic Label	Rigid case (PC)
Frequency Range (MHz)	902–928 (US) 866–868 (EU)	860–960 (Global)	860–960 (global)
IC Type	Alien Higgs 3	Alien Higgs 3	Alien Higgs 3
User Memory (bits)	512	512	512
Operating Temperature (°C)	+5 to +40 °C	+5 to +40 °C	–20 to +85 °C
IP Rating	IP54	IP54	IP68
Shock and Vibration <sup>2</sup>	MIL STD 810-F BS EN 60068-2	MIL STD 810-F BS EN 60068-2	MIL STD 810-F BS EN 60068-2
Attachment	Film Adhesive (std.) Foam Adhesive (opt.)	Film Adhesive (std.) Foam Adhesive (opt.)	Manual (std.) Film Adhesive (opt.) Foam Adhesive (opt.)
Order Number	011-EU 011-US :304 (ATEX marked), :507 (std. foam), :508 (premium foam) :510 (Tether cradle)	011-GS :304 (ATEX marked) :507 (std. foam), :508 (premium foam) :510 (Tether cradle)	023-GS :304 (ATEX marked) :502 (film), :507 (std. foam), :508 (premium foam)

1. Quoted performance achieved using standard Omni-ID test methodology, details available upon request.  
 2. Product designed to meet MIL STD 810-F and BS EN 60068-2. Please contact Omni-ID for further details.  
 Product is RoHS Compliant.

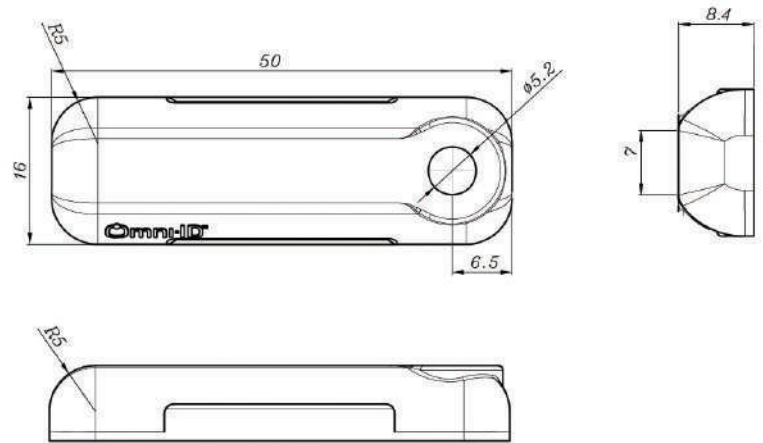
## Omni-ID Prox®

### Target Applications

With their low profile and small footprint, Prox tags are ideally suited for asset tracking and management of small high-value assets, such as:

- ▶ Servers
- ▶ Routers
- ▶ Disk Drives
- ▶ Tools and manufacturing equipment
- ▶ Construction helmets

### Dimensions



### Contact Information

For more information, contact:

#### Omni-ID Corporate Headquarters:

1200 Ridgeway Avenue  
Rochester, NY 14615 USA

#### European Office:

The Enterprise Centre  
Coxbridge Business Park  
Alton Road, Farnham, Surrey  
GU10 5EH, United Kingdom

#### For product or technology inquiries:

Email [customer.services@omni-id.com](mailto:customer.services@omni-id.com)

Visit [Omni-ID - The Leader in Passive RFID Tags for Asset Tracking](http://Omni-ID - The Leader in Passive RFID Tags for Asset Tracking)